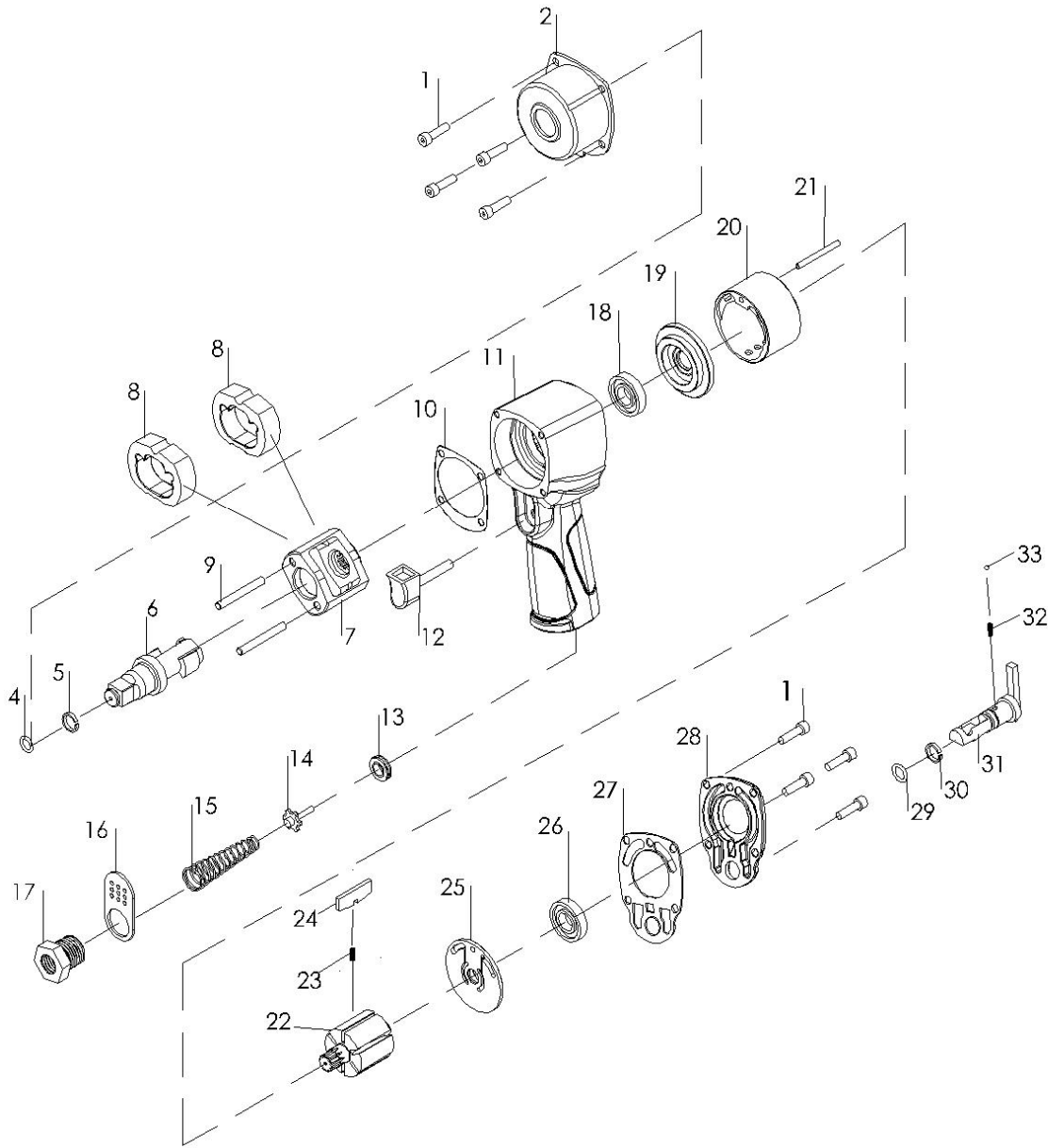


1/2" TWIN HAMMER DR.IMPACT WRENCH



P/NO.	Part Name	QTY
1	Socket Cap Screw Washrr	8
2	Hammer Housing	1
4	O-Ring	1
5	Retainer Ring	1
6	Drive Anvil	1
7	Hammer Cage	1
8	Hammer Cam	2
9	Hammer Pin	2
10	Motor Housing Gasket	1
11	Housing	1
12	Trigger	1
13	Throttle Bushing	1
14	Throttle Valve	1
15	Throttle Spring	1
16	Air Exhaust Deflector	1
17	Air Inlet Bushing	1
18	Ball Bearing 6902Z	1
19	Front nd Plate	1
20	Cylinder	1
21	Dowel liner	1
22	Rotor	1
23	Rotor Blade Spring	7
24	Rotor Blade	7
25	Rear End Plate	1
26	Ball Bearing R8	1
27	Motor Housing Gasket	1
28	Housing Cap	1
29	O-Ring	1
30	E-Ring	1
31	Regulator Knob	1
32	Regulator Valve Detent Spring	1
33	Regulator Valve Detent Ball	1